

NEPTUNITE

GLAZED PORCELAIN | FLOOR & WALL TILES

STONE

ABSOLUTE



NEPTUNITE



FIVE COLOURS



FOUR SIZES



TWO FINISHES

Neptunite is a glazed porcelain range that showcases the patina effect of rusted metals such as Silver, Aluminium & Copper. From different angles it can give the illusion of variable colour shades which creates a truly authentic look. With a wide selection of sizes ranging from 600x300mm up to 1200x600mm and in two finishes; Natural & Lapato, it also benefits from a range of co-ordinating fittings. Neptunite adds character and surface interest to any installation.





Aluminium Naturale 1200x600x8.8mm - NPT03N



Aluminium Lapato 1200x600x8.8mm - NPT03L
 Silver Lapato 1200x600x8.8mm - NPT02L
 Silver Naturale 900x900x9.5mm - NPT02N



Aluminium Lapato 1200x600x8.8mm & 900x900x9.5mm - NPT03L



Colours & Product Codes

V2: Low to Moderate Shade Variation



IVORY (LRV: 60) (PEI: IV)

Product Code - All Sizes: (N) NPT01N + (L) NPT01L | Fitting Code - All Skirting: (N) NPT1NS



SILVER (LRV: 31) (PEI: III)

Product Code - All Sizes: (N) NPT02N + (L) NPT02L | Fitting Code - All Skirting: (N) NPT2NS



ALUMINIUM (LRV: 18) (PEI: III)

Product Code - All Sizes: (N) NPT03N + (L) NPT03L | Fitting Code - All Skirting: (N) NPT3NS



Colours & Product Codes

V2: Low to Moderate Shade Variation



COPPER LRV: 26 PEI: III

Product Code - All Sizes: N NPT04N + L NPT04L | Fitting Code - All Skirting: N NPT4NS



STEEL LRV: 10 PEI: III

Product Code - All Sizes: N NPT05N + L NPT05L | Fitting Code - All Skirting: N NPT5NS

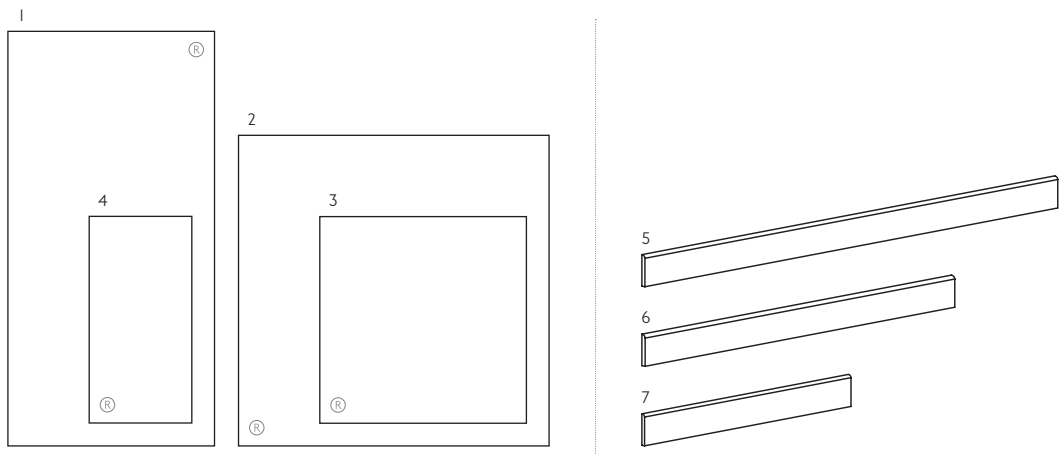


Aluminium Natural 1200x600x8.8mm - NPT03N



Size Formats

Sizing & Packing Information



#	Size	Thickness	Finish	Structure	Class	Pcs / Box	M2 / Box	Kg / Box
1	1200x600mm	8.8mm	(N) Natural	-	Bla	2 Tiles	1.44 m ²	35.00 kg
			(L) Lapato	-	Bla	2 Tiles	1.44 m ²	35.00 kg
2	900x900mm	9.5mm	(N) Natural	-	Bla	2 Tiles	1.60 m ²	38.00 kg
			(L) Lapato	-	Bla	2 Tiles	1.60 m ²	38.00 kg
3	600x600mm	7.8mm	(N) Natural	-	Bla	4 Tiles	1.44 m ²	26.50 kg
			(L) Lapato	-	Bla	4 Tiles	1.44 m ²	26.50 kg
4	600x300mm	7.8mm	(N) Natural	-	Bla	7 Tiles	1.26 m ²	24.00 kg
			(L) Lapato	-	Bla	7 Tiles	1.26 m ²	24.00 kg

#	Fitting	Thickness	Finish	Structure	Class	Pcs / Box	LM / Box	Kg / Box
5	1200x90mm Round Top Skirting	8.8mm	(N) Natural	-	Bla	10 Tiles	12.00 Lm	25.00 kg
6	900x90mm Round Top Skirting	9.5mm	(N) Natural	-	Bla	12 Tiles	10.80 Lm	23.00 kg
7	600x90mm Round Top Skirting	7.8mm	(N) Natural	-	Bla	16 Tiles	9.60 Lm	16.00 kg

Note: (R) Rectified Edge. Class Bla: Glazed Porcelain Tiles. For more information please see the suitability advice given in the technical section. All sizes indicated are metric modular. All sizes shown are nominal. For the most up-to-date size, colour and finish availability, please visit our website - www.johnson-tiles.com.



Aluminium Lapato 1200x600x8.8mm - NPT03L
Silver Natural 900x900x9.5mm - NPT02N



Technical, Sustainability & Important Information

Specification

Range	Finish	Wall Suitability	Floor Suitability	Wet Barefoot	CSV	Material / Class
Neptuneite	Natural	Internal & External	Internal Only	-	V2	Glazed Porcelain [Bla]
	Lapato	Internal & External	Internal Only	-	V2	Glazed Porcelain [Bla]

Floor Values

Finish	Colour	PTV (4S)	PTV (TRL)	R Value	Wet Ramp	PEI	Traffic
Natural	Ivory	Dry 36+ Wet 25 - 35	-	R10	-	IV	Commercial
	All Other Colours	Dry 36+ Wet 25 - 35	-	R10	-	III	Light Commercial
Lapato	Ivory	Dry 36+ Wet 0 - 24	-	-	-	IV	Commercial
	All Other Colours	Dry 36+ Wet 0 - 24	-	-	-	III	Light Commercial

Physical Properties

Test & Standard	Requirement	Test Result	Test & Standard	Requirement	Test Result
Length / Width EN ISO 10545 - 2	$\pm 0.6\% \leq \pm 2\text{mm}$	Pass	Modulus of Rupture EN ISO 10545 - 4	Min. 35N / mm ²	Pass
Thickness EN ISO 10545 - 2	$\pm 5\% \leq \pm 0.5\text{mm}$	Pass	Thermal Shock EN ISO 10545 - 9	Pass	Pass
Straightness of Side EN ISO 10545 - 2	$\pm 0.5\% \leq \pm 1.5\text{mm}$	Pass	Frost Resistance EN ISO 10545 - 12	Resistant	Resistant
Rectangularity EN ISO 10545 - 2	$\pm 0.5\% \leq \pm 2\text{mm}$	Pass	Chemical Resistance EN ISO 10545 - 13	Min. Class B	Class A
Surface Flatness EN ISO 10545 - 2	$\pm 0.5\% \leq \pm 2\text{mm}$	Pass	Stain Resistance EN ISO 10545 - 14	Min. Class 3	Class 4
Water Absorption EN ISO 10545 - 3	$\leq 0.5\%$	Pass	Fire Rating	-	Class A I FL Non Combustible
Weight / M ²	19.05 kg 7.8mm thick	24.31 kg 8.8mm thick	24.31 kg 9.5mm thick		

Sustainability Information

Range	Material / Class	EPD	Recycled Content of the Tiles	Recycled Content of the Packaging	Recyclable Content of the Packaging
Neptuneite	Glazed Porcelain [Bla]	-	Up to 30%	Some Part Recycled	Up to 100%

Note: Due to the manufacturing process of all floor tiles there may be small variations in slip resistance. Given this, please refer to our website for the most up-to-date information. The slip resistance properties of a surface can only be maintained with the implementation of an effective regular cleaning and maintenance regime. The frequency of cleaning should be determined by the property manager based on the potential level of surface contaminants. The need for an additional regular cleaning and maintenance regime is further heightened when tiles are used for external floor and wet barefoot applications.

Please contact our technical helpline for specification and installation advice. All glazed porcelain [Bla] products shown in this range overview conform to BS EN 14411. CSV: Colour Shade Variation. PTV (4S): Pendulum Test Value - Slider 96. PTV (TRL): Pendulum Test Value - Slider 55. R Value (DIN 51130). Wet Ramp (DIN 51097).

PEI: Porcelain Enamel Institute. EPD: Environmental Product Declaration. For a full company sustainability overview please visit www.johnson-tiles.com/about/sustainability.

Important Information

During the manufacturing process of ceramic and porcelain tiles, some variation in shade and pattern can occur. Before fixing any tiles, several boxes should be opened and their contents mixed to ensure that size, colour, shade and patterning are acceptable. The tiles shown are quality products and conform to the physical properties listed. For a comprehensive colour, size and finish overview along with full technical and sustainability information for all of the product shown in this product presenter, please visit our website - www.johnson-tiles.com.

- All sizes shown are metric modular.
- For specific suitability details please contact our technical department.
- Johnson Tiles cannot accept responsibility for tiles that have been fixed.
- Every effort has been made to ensure the accuracy of the information given.
- Johnson Tiles reserves the right to change specification and availability information without prior notice.
- Nothing in these statements does/will affect the statutory rights of the consumer.

© Johnson Tiles, Johnson, Absolute and Material Lab are registered trademarks and together with Kerastar and product names are the trademarks of H&R Johnson Tiles Limited and licensed to Norcros Group (Holdings) Limited trading as Johnson Tiles. © 2023 Johnson Tiles. All rights reserved.



All product technical values quoted in this product presenter are supported by laboratory testing from our own and independent ceramic test houses. Johnson Tiles are British Standard registered and all products conform to the standards set in BS EN 14411.

For the reassurance of single-source supply, Johnson Tiles offers a free of charge NBS M40 specification writing service featuring the Norcros Adhesives range of tile fixing products. To find out more or for any questions or queries relating to any tile related technical information featured in this product presenter, please contact our technical advice helpline on +44 (0)1782 524 111 or email ddunlop@johnson-tiles.com

The colours shown in this sample tile wallet and attached booklet are as accurate as printing processes will allow. Please refer to actual product samples before specifying. Every effort has been made to ensure the accuracy of the information given.

For more information about **Neptunite** or any of our other product ranges simply visit

www.johnson-tiles.com | [f](#) [t](#) [i](#) [d](#) [p](#) [in](#) [v](#)

Where To Find & Contact Us

Johnson Tiles Head Office

Harewood Street, Tunstall,
Stoke on Trent, Staffordshire,
ST6 5JZ, United Kingdom

Tel: +44 (0)1782 575 575
Email: info@johnson-tiles.com
www.johnson-tiles.com

Material Lab Studio

10 Great Titchfield Street,
London, W1W 8BB,
United Kingdom

Tel: +44 (0)20 7436 8629
Email: info@material-lab.co.uk
www.material-lab.co.uk

Johnson Tiles Factory Outlet

Tel: +44 (0)1782 524 040
Email: foutlet@johnson-tiles.com
www.outlet.johnson-tiles.com

Customer Services

Tel: +44 (0)1782 524 000
Email: sales@johnson-tiles.com

Order A Sample

Tel: +44 (0)1782 524 043
Email: samples@johnson-tiles.com

Technical Advice

Tel: +44 (0)1782 524 111
Email: ddunlop@johnson-tiles.com

Launched: May 2023 - Updated: October 2023

www.johnson-tiles.com | [f](#) [t](#) [i](#) [d](#) [p](#) [in](#) [v](#)

JOHNSON • TILES 
MADE IN THE UK SINCE 1901

Johnson Tiles is a division of Norcros Group (Holdings) Limited,
Ladyfield House, Station Road, Wilmslow, Cheshire, SK9 1BU,
United Kingdom. Registered in England number 566694.